














USER MANUAL
HM201M
Height Meter



Please keep the instruction manual at hand all the time for future reference.

Explanation of Graphic Symbols on Label/Packaging

	Caution, consult accompanying documents before use		Authorized representative in the European Community
	Manufacturer of medical device		Indicates that device conforms to Regulation (EU) 2017/745. Four digit number refers to Notified Body.
	Manufacturing year of medical device		Indicates that device is a medical device
	Device catalogue number		Serial number
	Manufacturer's batch or lot number		Unique Device Identifier
	Carefully read user manual before installation and usage, and follow instructions for use.		

Copyright Notice

Charder Electronic Co., Ltd.

No.103, Guozhong Rd., Dali Dist., Taichung City 41262 Taiwan

Tel: +886-4-2406 3766

Fax: +886-4-2406 5612

Website: www.chardermedical.com E-mail: info_cec@charder.com.tw

Copyright© Charder Electronic Co., Ltd. All rights reserved.

This user manual is protected by international copyright law. All content is licensed, and usage is subject to written authorization from Charder Electronic Co., Ltd. (hereinafter Charder) Charder is not liable for any damage caused by a failure to adhere to requirements stated in this manual. Charder reserves the right to correct misprints in the manual without prior notice, and modify the exterior of the device for quality purposes without customer consent.



Charder Electronic Co., Ltd.
No. 103, Guozhong Rd., Dali Dist.,
Taichung City, 41262 Taiwan

CONTENTS

I. Safety Notes	4
A. General Information	4
II. Installation.....	5
With Bracket	5
Without Bracket.....	6
Attaching to compatible Charder scales	7
III. Using Device	9
IV. Product Specifications	11
V. Declaration of Conformity	12



I. Safety Notes

A. General Information

Thank you for choosing this Charder Medical device. It is designed to be easy and straightforward to operate, but if you encounter any problems not addressed in this manual, please contact your local Charder service partner.

Before beginning operation of the device, please read this user manual carefully, and keep it in a safe place for reference. It contains important instructions regarding installation, proper usage, and maintenance.

Intended Use

This device is intended to measure the height of subjects, for diagnosis of height-related issues by professionals.

General Handling

- Device should be placed on stable, flat, solid, non-slippery surface.
- Ensure all parts are properly locked and tightened before operating the device.

Safety Instructions

- Expected service life: 5 years.

Cleaning

- Device surface should be cleaned using alcohol-based wipes. Corrosive cleansing liquids should not be used. Pressure-washers should not be used.

Warranty/Liability

- The period of warranty shall be eighteen (18) months, beginning on the date of purchase. Please retain your receipt as proof of purchase.
- No responsibility shall be accepted for damage caused through any of the following reasons: unsuitable or improper storage or use, incorrect installation or commissioning by the owner or third parties, natural wear and tear, changes or modifications, incorrect or negligent handling.

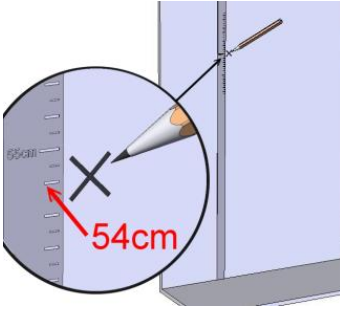
Incident Reporting

- Any serious incident that has occurred in relation to the device should be reported to the manufacturer, EU representative (if device is used in EU member state), and competent authority of user/subject's member state.

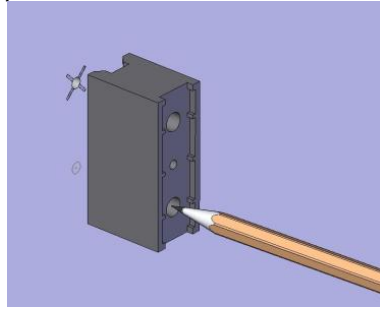
II. Installation

With Bracket

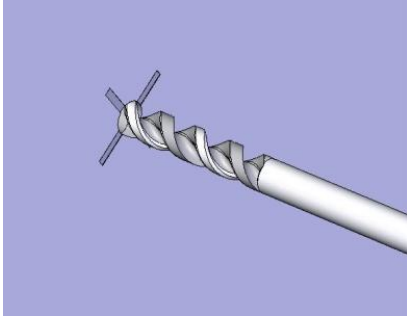
1. Make a mark 54 cm off the ground.



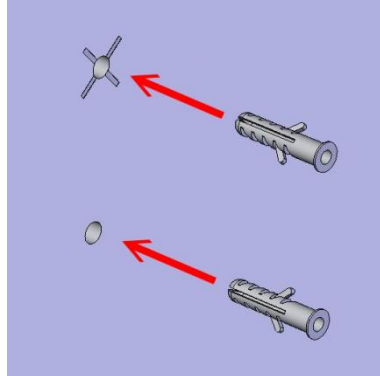
2. Align the mark with one hole, and use it and bracket to mark position for second hole.



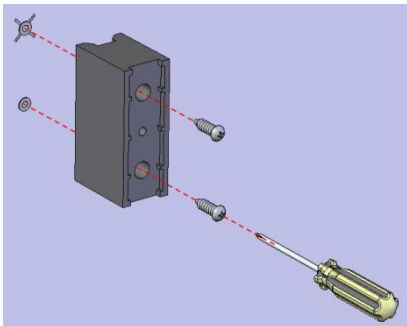
3. Drill through both markings.



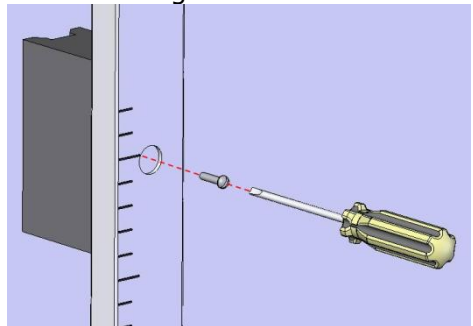
4. Insert plastic nails firmly.



5. Screw bracket to wall

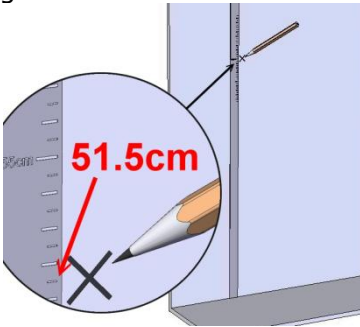


6. Screw height rod to bracket

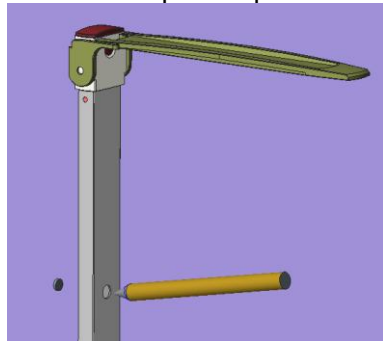


Without Bracket

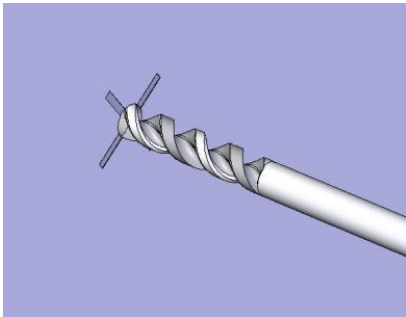
1. Make a mark 51.5 cm off the ground.



2. Extend the height rod fully, and mark the top hole position



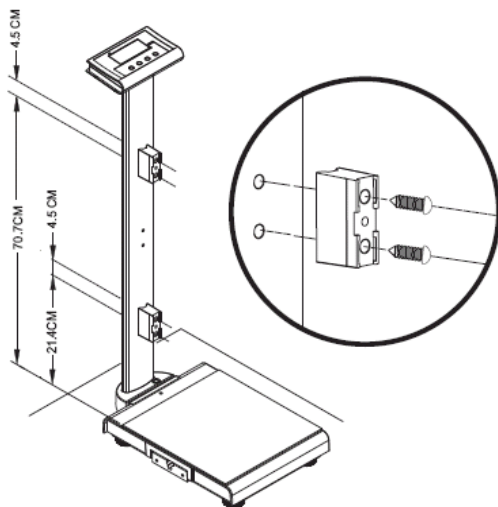
3. Drill through both markings to secure HM201M to wall..



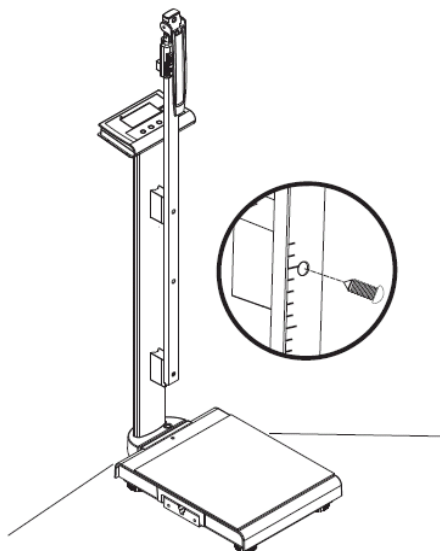
Attaching to compatible Charder scales

MS39-series

1. Attach bracket

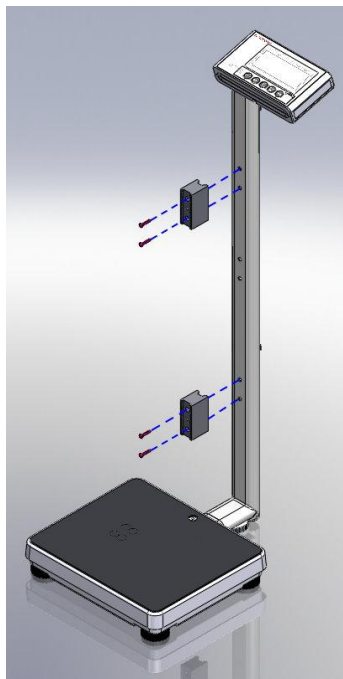


2. Screw height rod to bracket

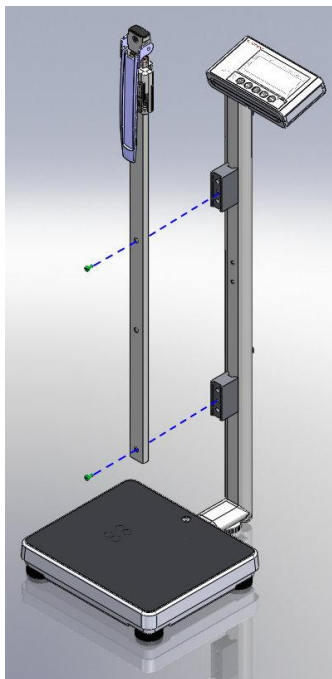


MS49-series




1. Attach fixing block using cross head screws



2. Attach HM201M to fixing block using flat head screws

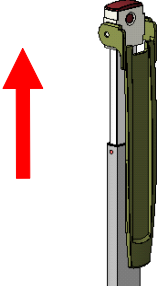
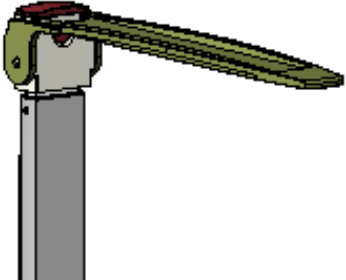
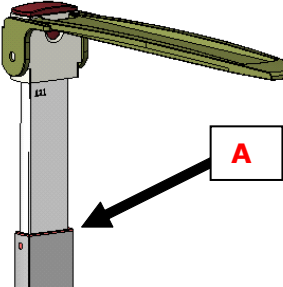


Parts

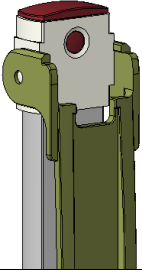
		
Fixing block*2	Flat head screw*2	Cross head screw*2

III. Using Device

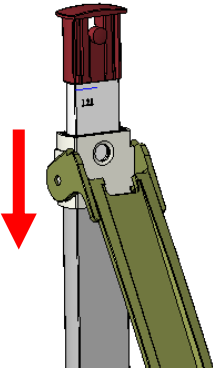
Over 121cm

	<p>1. Extend rod</p>
	<p>2. Raise headpiece to horizontal position</p>
	<p>3. Head reading should be taken at point A</p>

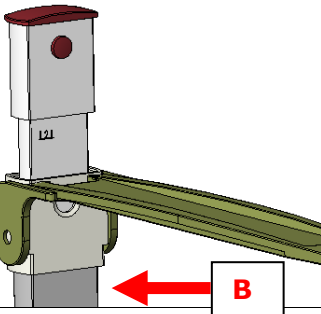
Under 120 cm



1. Fold down headpiece and press on buckle



2. While pressing buckle, press down headpiece




3. Height reading should be taken at point B

IV. Product Specifications

Model		HM201M
Height Measurement	Range	60-210 cm 24-82 3/4"
	Graduation	1 mm 1/16 in
	Accuracy	±10 mm
Dimensions	Overall	40(W) x 30(D) x 1780(H) mm
Device Weight		About 0.7 kg
Operation Temperature & Humidity		5°C~35°C

V. Declaration of Conformity

This product has been manufactured in accordance with the harmonized European standards, following the provisions of the below stated directives:

	93/42/EEC as amended by 2007/47/EC Medical Device Directive
---	--

Please see separate document showing on sticker of device for above CE marking.

Authorized EU Representative:



Obelis s.a.

Bd Général Wahis, 53
B-1030 Brussels
Belgium



Manufactured by:
Charder Electronic Co., Ltd.
No.103, Guozhong Rd., Dali Dist.,
Taichung City, 41262 Taiwan (R.O.C.)

CD-IN-1025 7026S 11/2020